

CLASSE H2 SPARTITRAFFICO - BARRIERA 2 ONDE W4

Class H2 Double sided - 2-waves guardrail W4

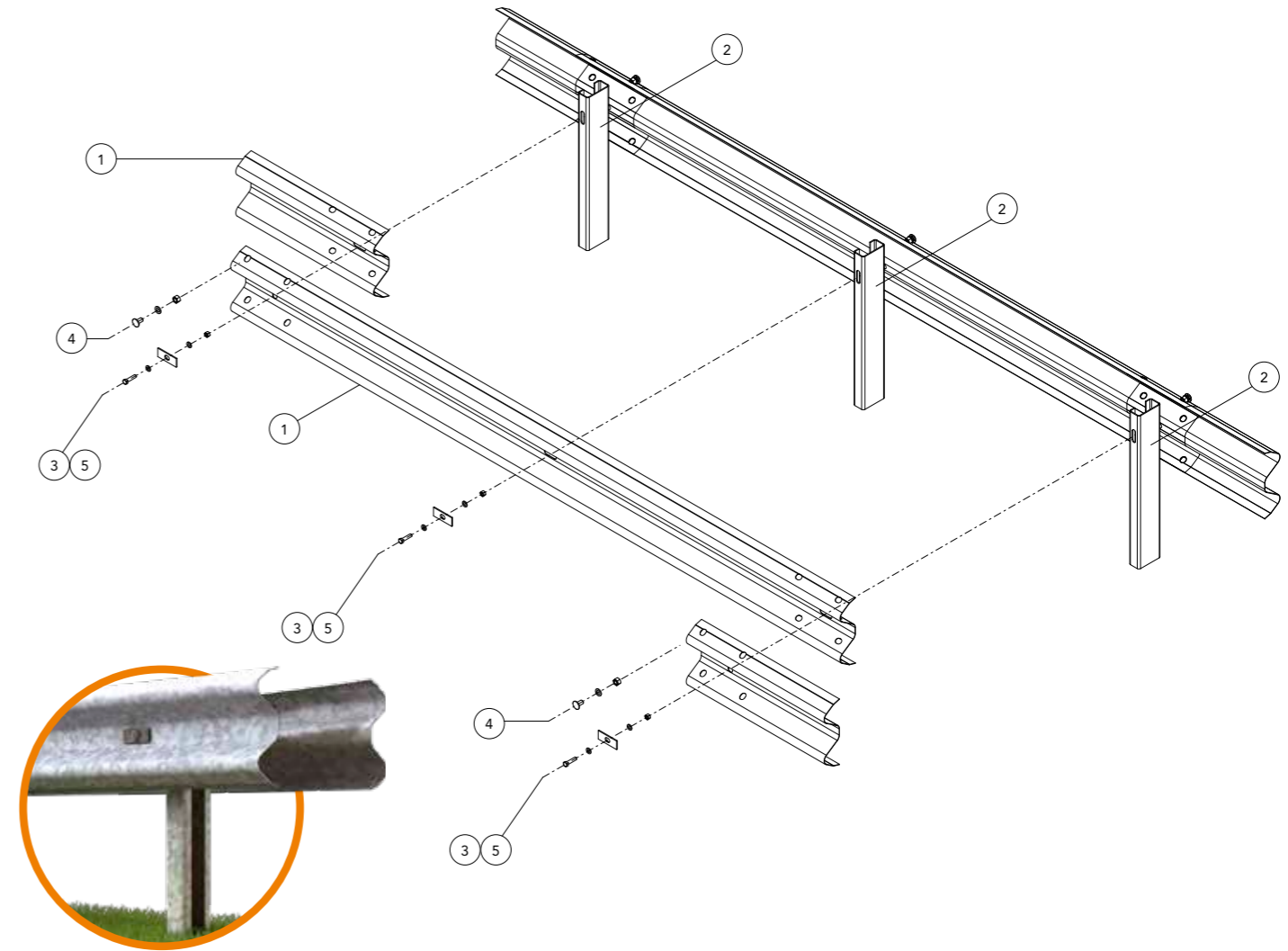
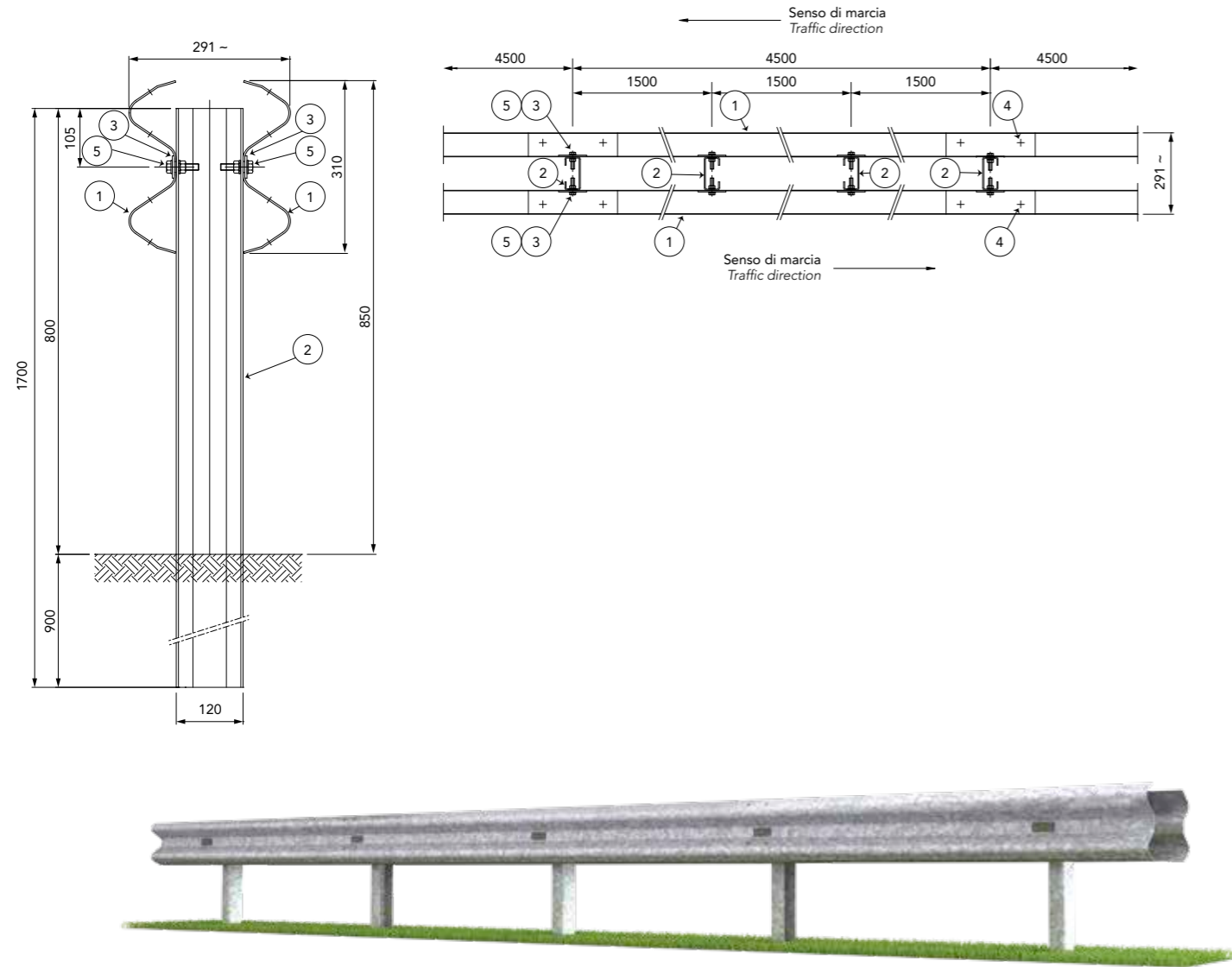
Doppel-Wellen Leitplanke für den Mittelstreifen, Aufhaltestufe H2, Wirkungsbereich W4

Classe H2 Glissière centrale - Glissière 2 ondes simple W4

Clase H2 Paso de mediana - Barrera de doble onda simple W4

H2-W4

2-waves



| Caratteristiche Characteristics, Eigenschaften, Caractéristiques, Características | |
|--|---------|
| Altezza fuori terra Height above ground level, Höhe über Grundboden, Hauteur hors sol, Altura sobre el suelo | 850 mm |
| Profondità d'infissione Depth of penetration, Rammtiefe, Profondeur de piling du poteau, Longitud hincada | 900 mm |
| Ingombro trasversale Overall width, Gesamtbreite, Grosseur hors tout, Anchura total | 291 mm |
| Interasse pali Post spacing, Steherabstand, Distance entre poteaux, Distancia entre postes | 1500 mm |

| Rapporti di prova Crash test reports, Testberichte, Comptes rendus d'essais, Relaciones de pruebas | | | | | | | | | | | |
|--|----------|------|--------------|------------------|-------------|------------|-------------|------------------|-----|------|--------|
| Test n. | Facility | Test | Type | Barrier length m | Mass kg | Speed km/h | ASI max 1.4 | THIV max 33 km/h | D m | Vi m | W m |
| PROVA 954 | Aisico | TB51 | Laterale 20° | 90 | 13000 (bus) | 70 | - | - | 1,2 | 1,7 | 1,3=W4 |
| PROVA 960 | Aisico | TB11 | Laterale 20° | 90 | 900 (car) | 100 | 1,1=B | 33 | 0,3 | - | 0,6=W1 |

| Componenti Components, Bauteile, Composants, Elementos | | | |
|---|---|----------------------------|--------------------|
| Descrizione - barriera in acciaio zincato Description - galvanized steel barrier | | | |
| | | | Materiale Material |
| 5 | Bullone completo Bolt with nut and washer, Schraube komplett, Boulon complet, Tornillo completo con tuerca y arandela | M12x50 mm | Classe 8.8 |
| 4 | | M16x30 mm | Classe 8.8 |
| 3 | Piastrina copriasola Slot covering plate, Lochabdeckplatte, Plaque de couverture fente, Placa cubre-ranura | 100x40x4 mm | S 275 JR |
| 2 | Palo "C" C-post, C-Steher, Poteau en C, Poste "C" | 120x55x30 Th=4 L=1700 mm | S 275 JR |
| 1 | Fascia 2 onde 2-waves beam, 2-wellige Leitschiene, Glissière 2 ondes, Banda doble onda | L=4816 (1500x3) Th=2,85 mm | S 355 JR |

| Componenti Components, Bauteile, Composants, Elementos | | | |
|--|---|----------------------------|--------------------|
| Descrizione - barriera in acciaio corten Description - corten steel barrier | | | |
| | | | Materiale Material |
| 5 | Bullone completo + 2 rondelle Bolt with nut and washer + 2 washers, Schraube komplett + 2 scheibe, Boulon complet + rondelle, Tornillo completo con tuerca y arandela + 2 arandelas | M12x50 mm | Tropicaliz. |
| 4 | Bullone completo Bolt with nut and washer, Schraube komplett, Boulon complet, Tornillo completo con tuerca y arandela | M16x30 mm | Tropicaliz. |
| 3 | Piastrina copriasola Slot covering plate, Lochabdeckplatte, Plaque de couverture fente, Placa cubre-ranura | 100x40x4 mm | S 355 JOWP |
| 2 | Palo "C" C-post, C-Steher, Poteau en C, Poste "C" | 120x55x30 Th=4 H=1700mm | S 355 JOWP |
| 1 | Fascia 2 onde 2-waves beam, 2-wellige Leitschiene, Glissière 2 ondes, Banda doble onda | L=4816 (1500x3) Th=2,85 mm | S 355 JOWP |